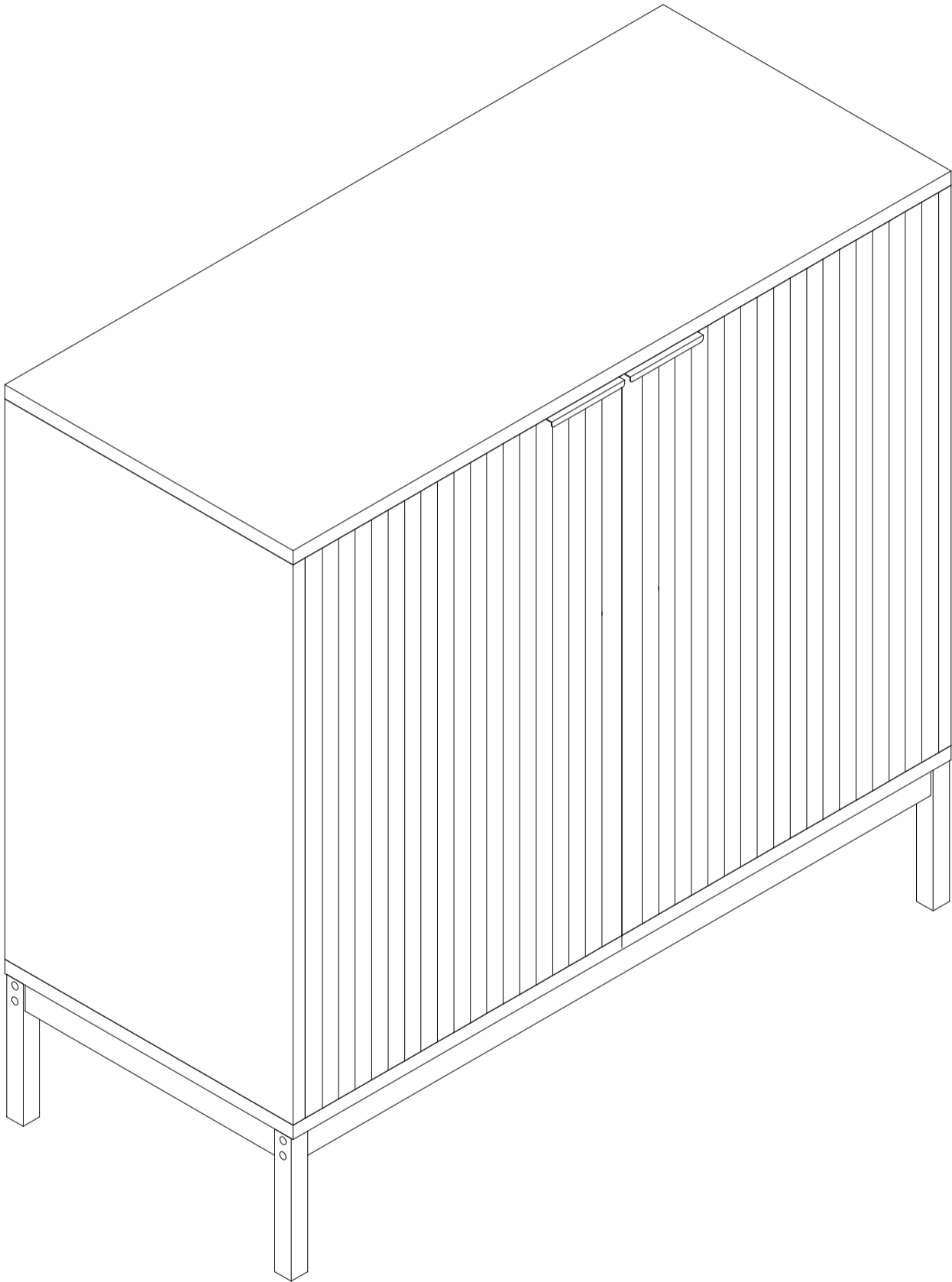
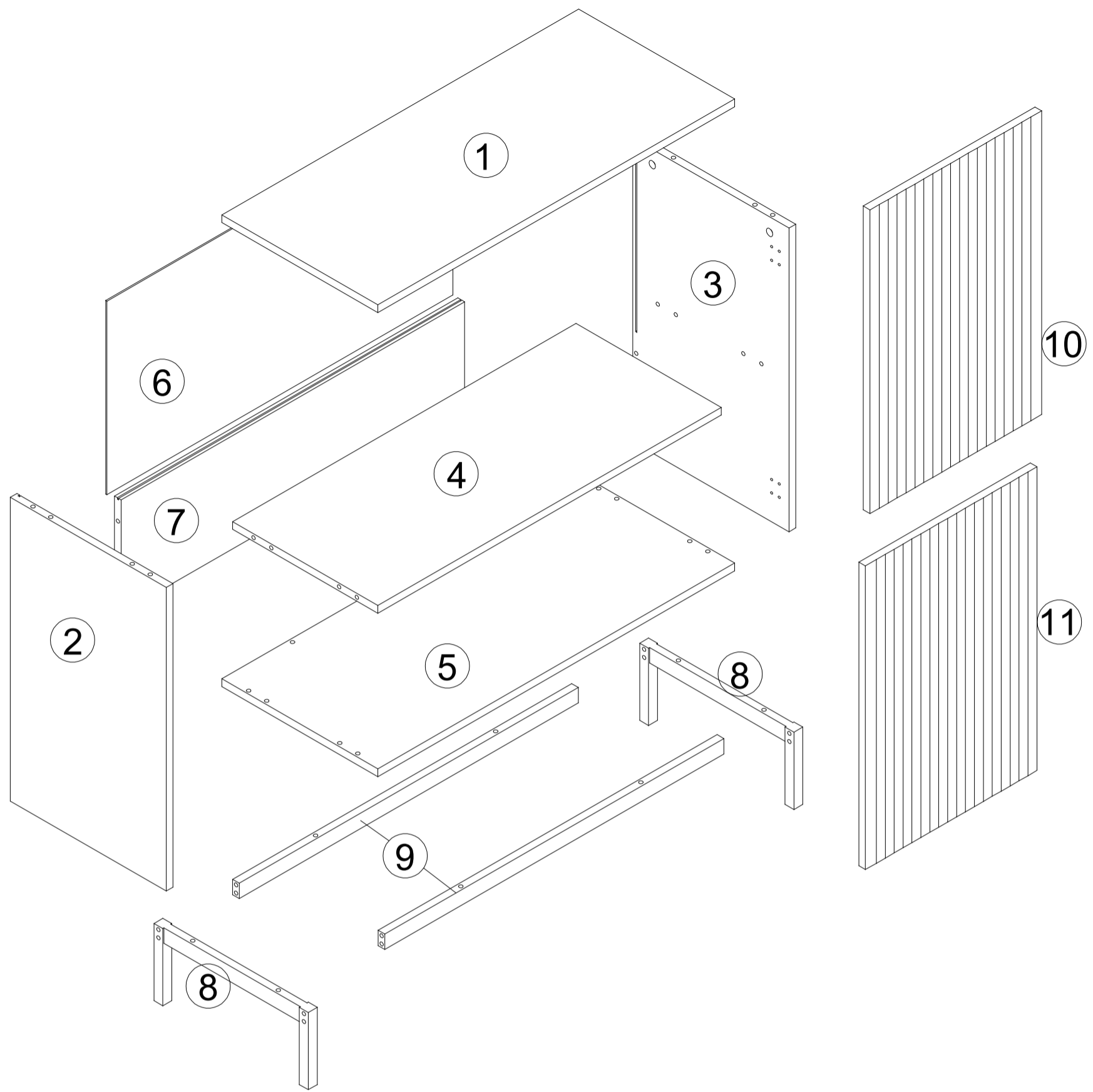
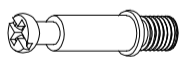
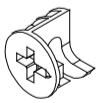
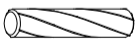
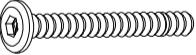

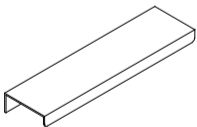
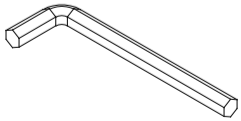
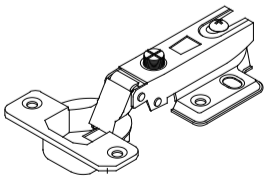
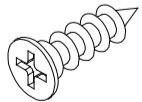
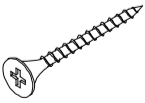
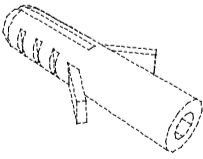



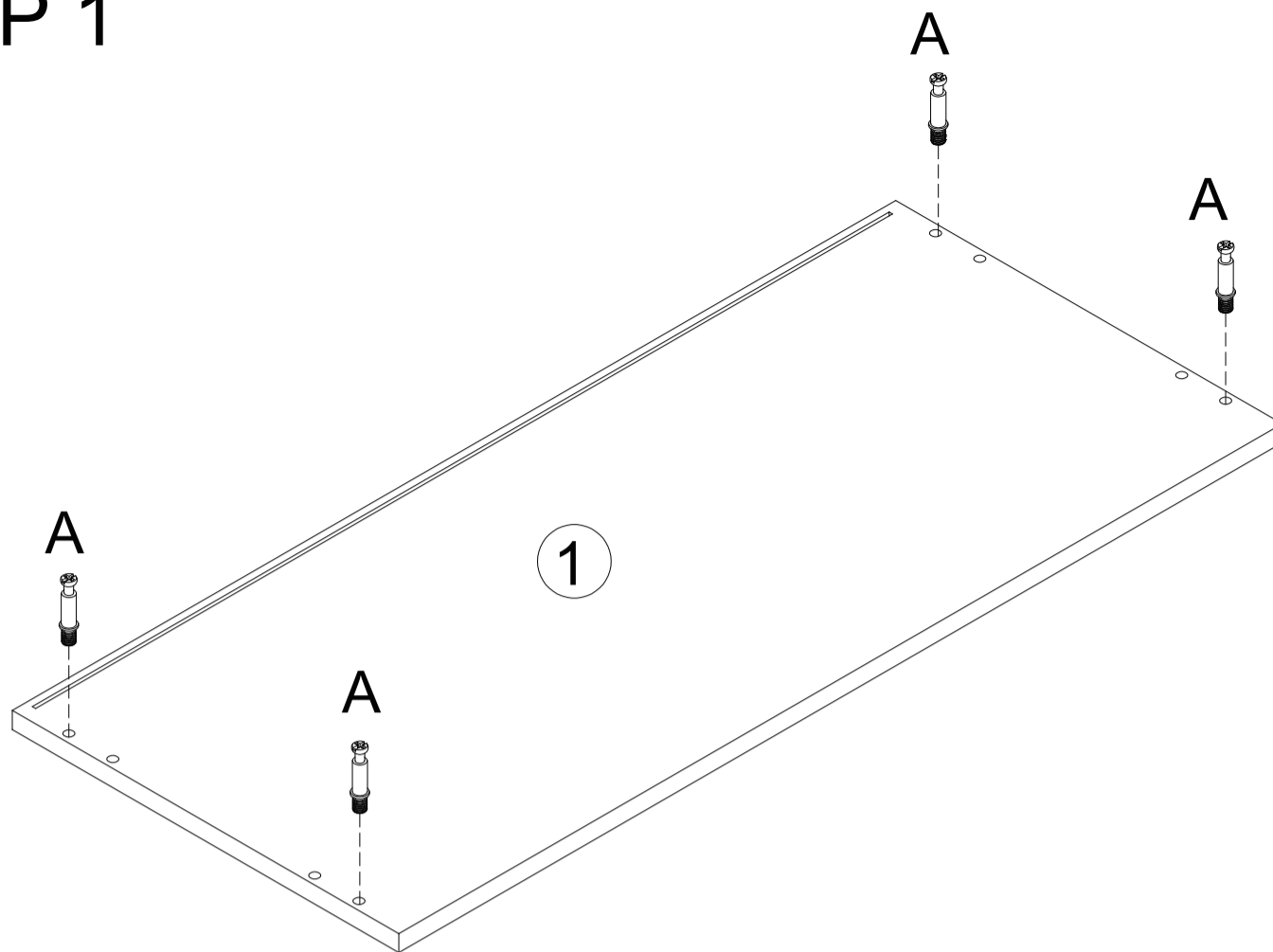
ASSEMBLY INSTRUCTION





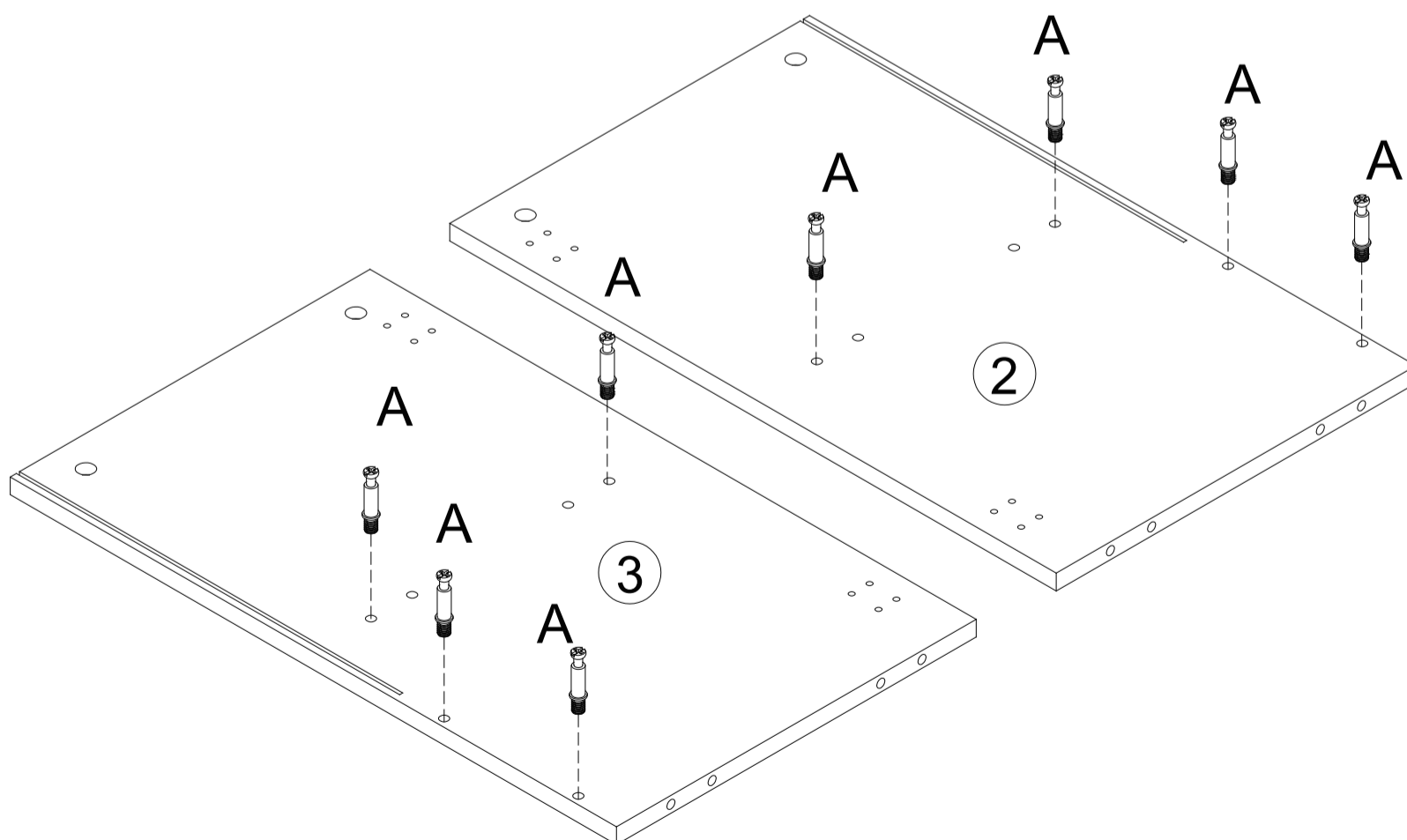
 A x 12	 B x 12	 C x 12	 M6 x 40 D x 16	 7 x 38 E x 6	 F x 2
 G x 1	 H x 4	 3.5 x 14 J x 29	 4 x 35 K x 1	 M x 1	 N x 1

STEP 1



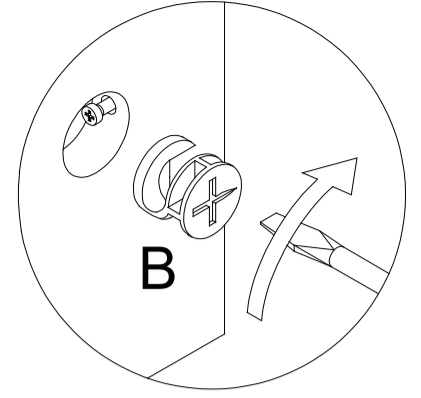
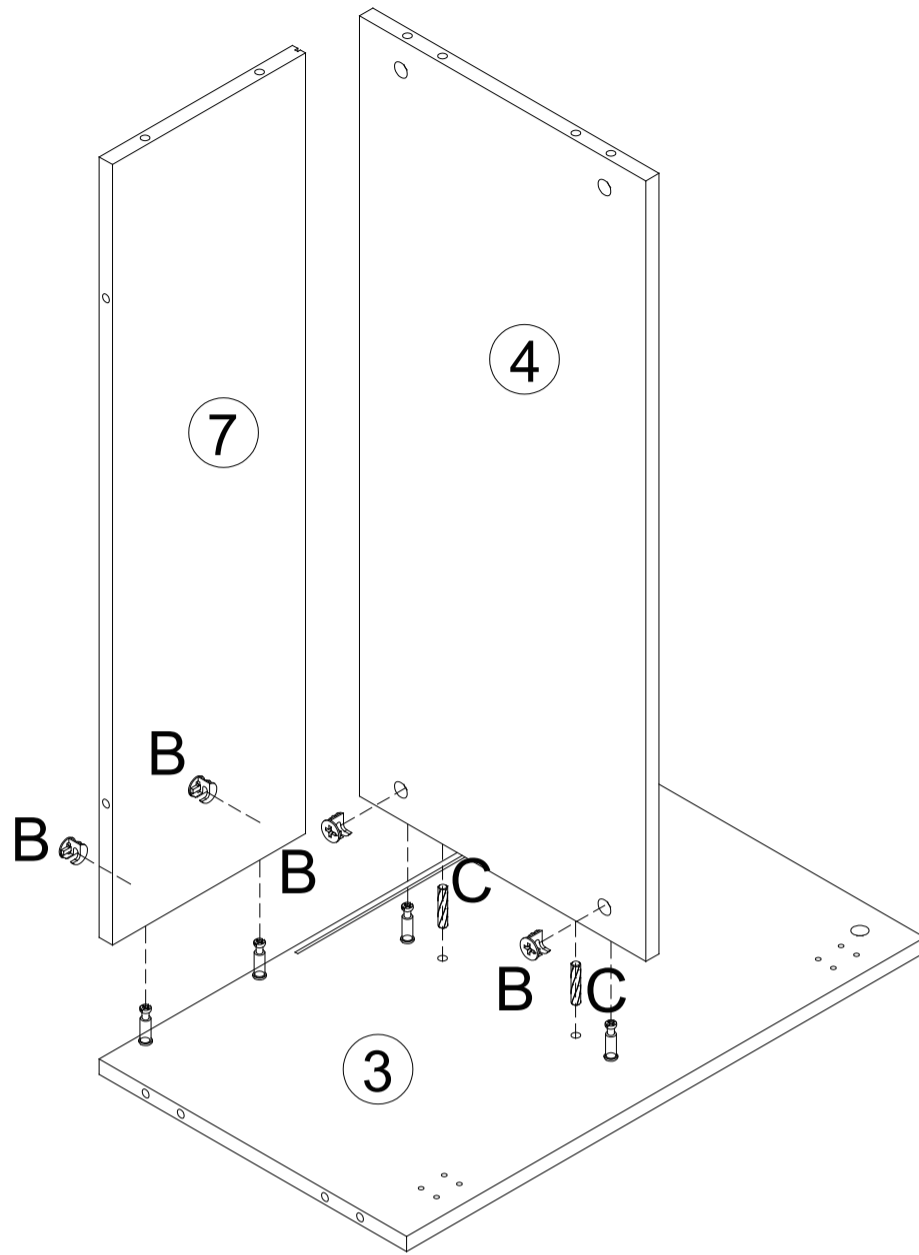
A x 4

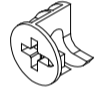

STEP 2



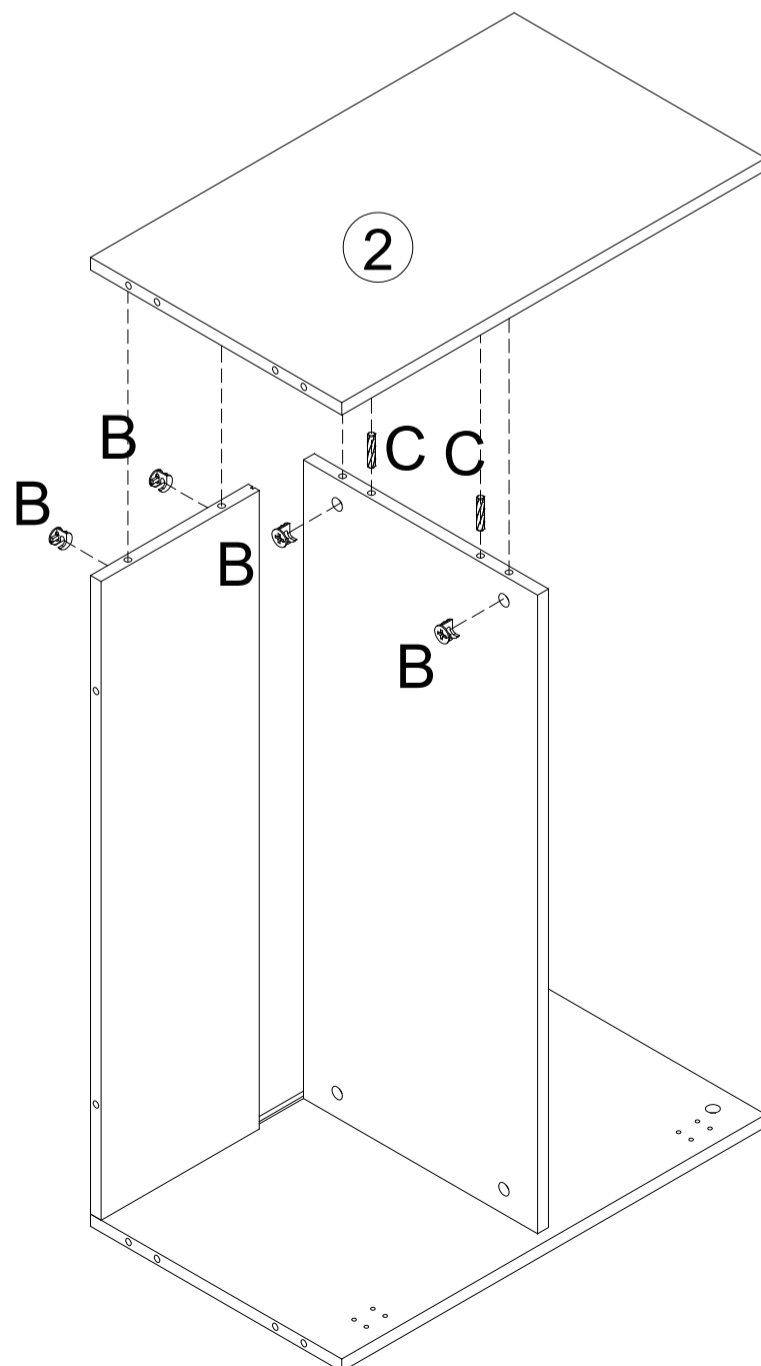
A x 8

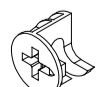

STEP 3



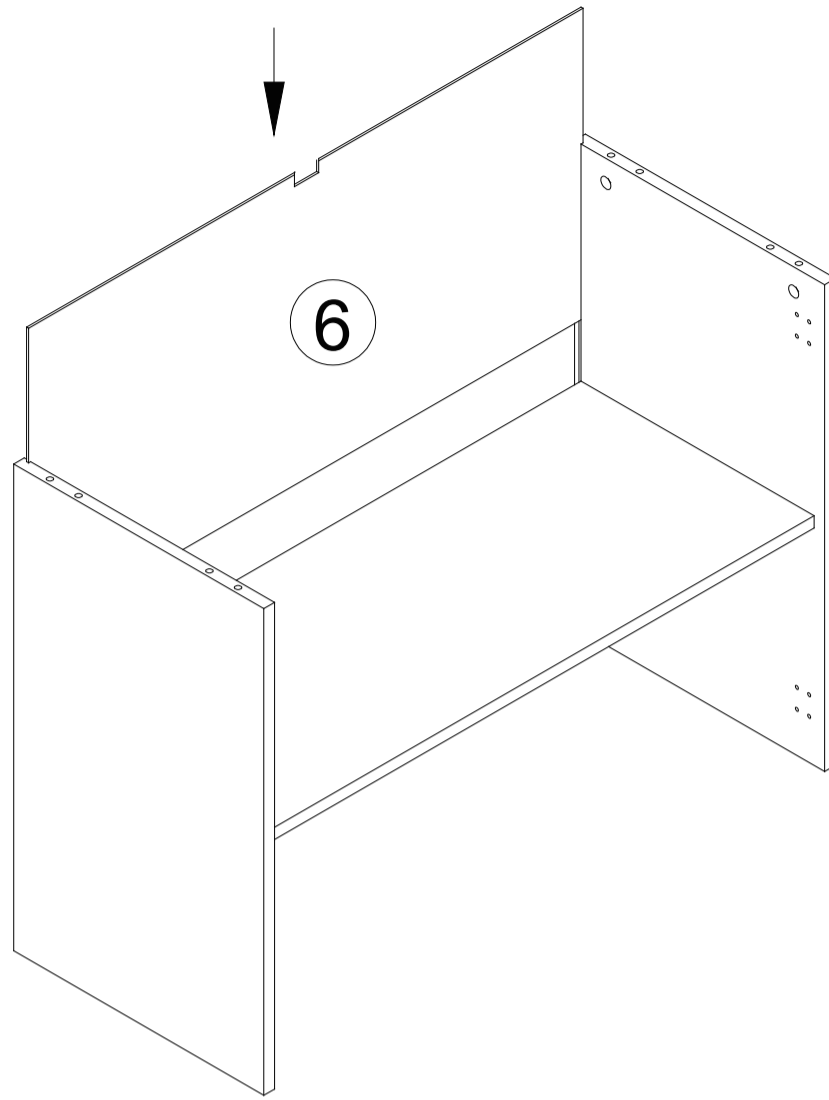
	
B x 4	C x 2

STEP 4

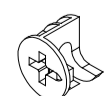
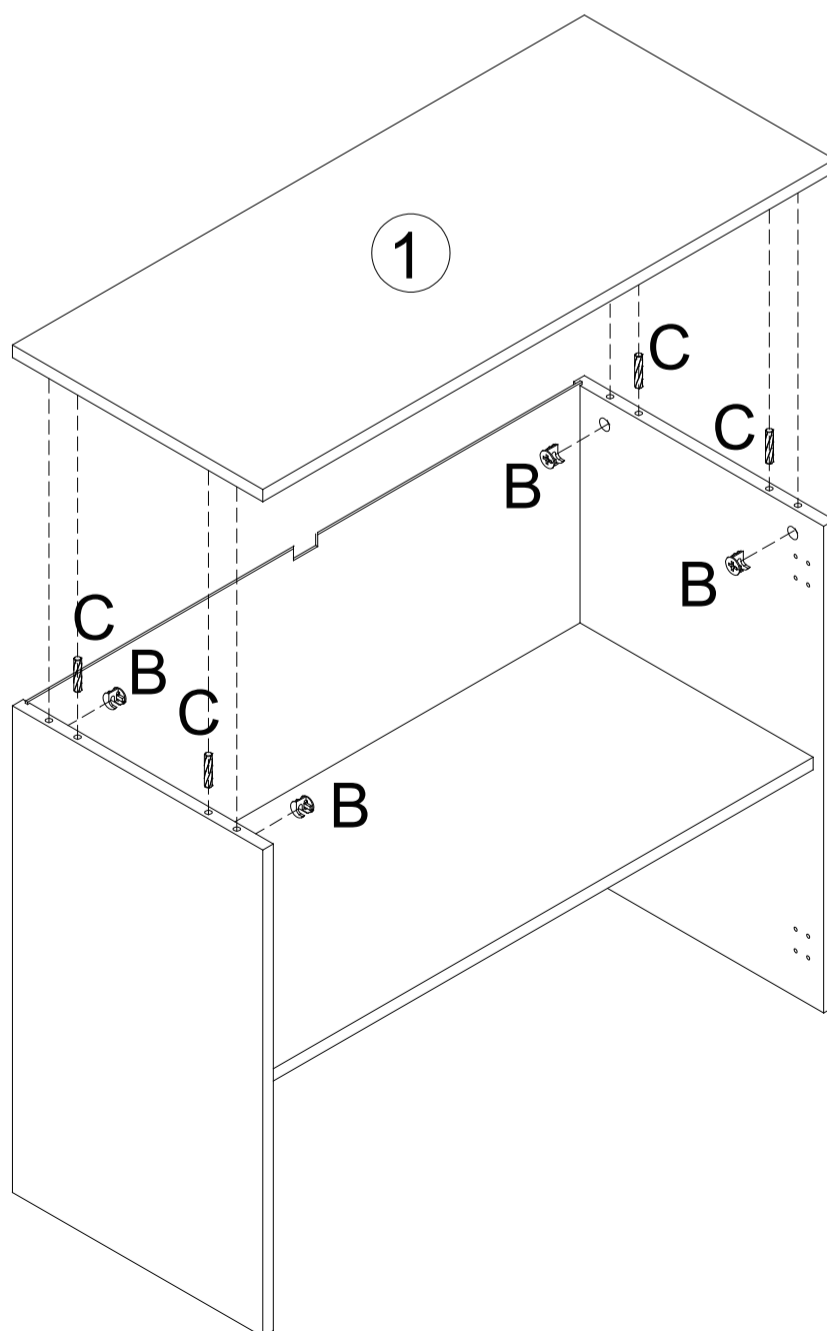


	
B x 4	C x 2

STEP 5



STEP 6

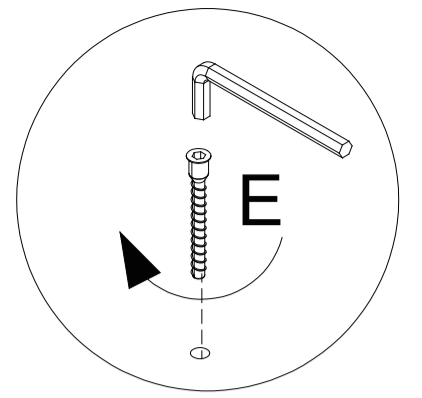
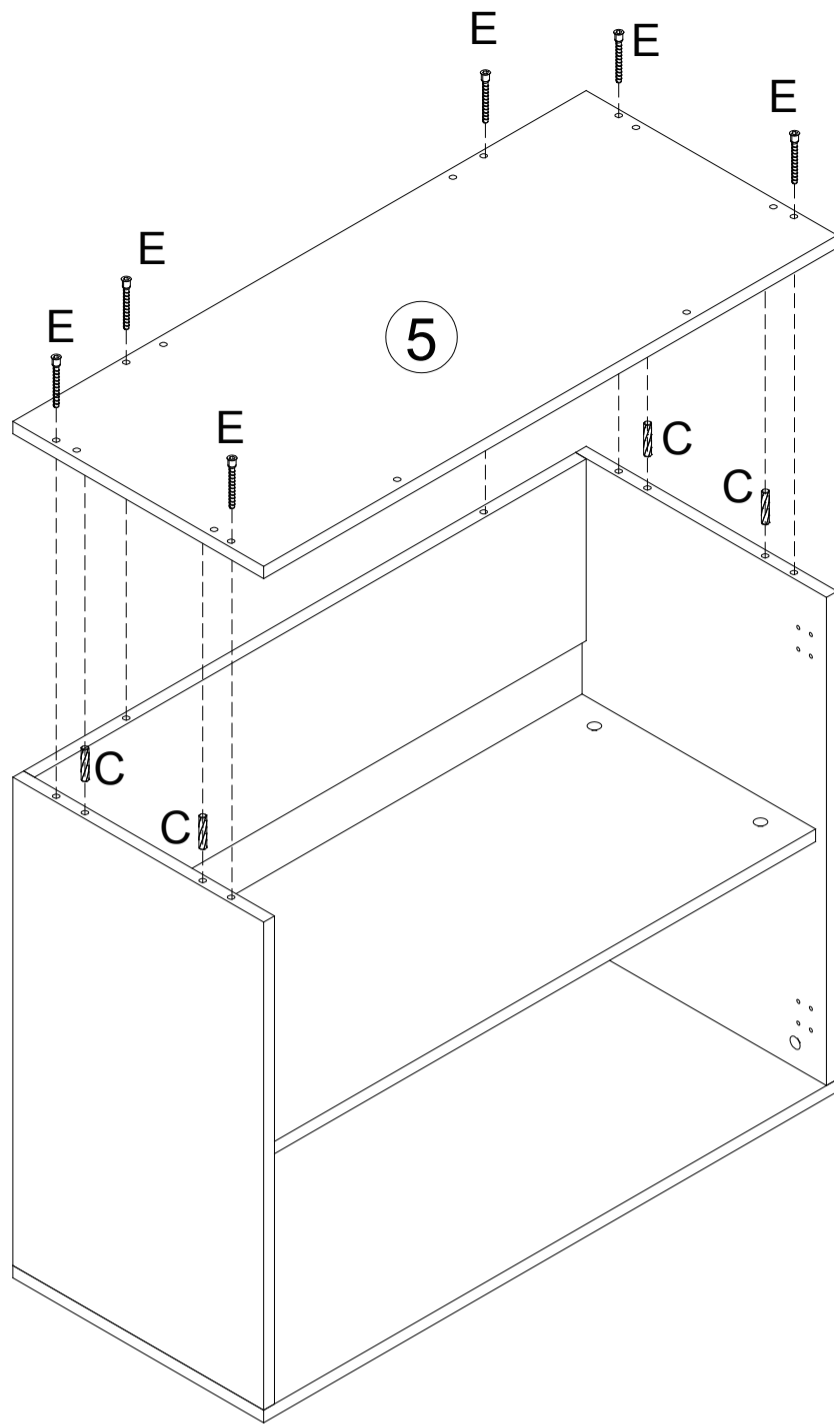


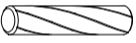
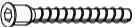
B x 4



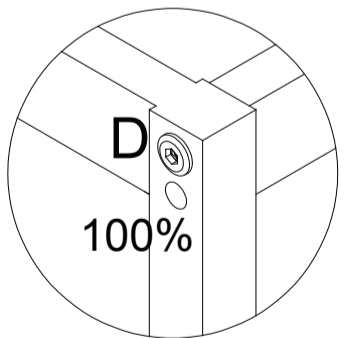
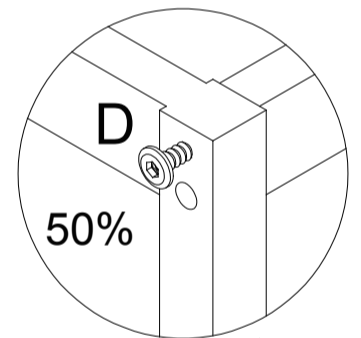
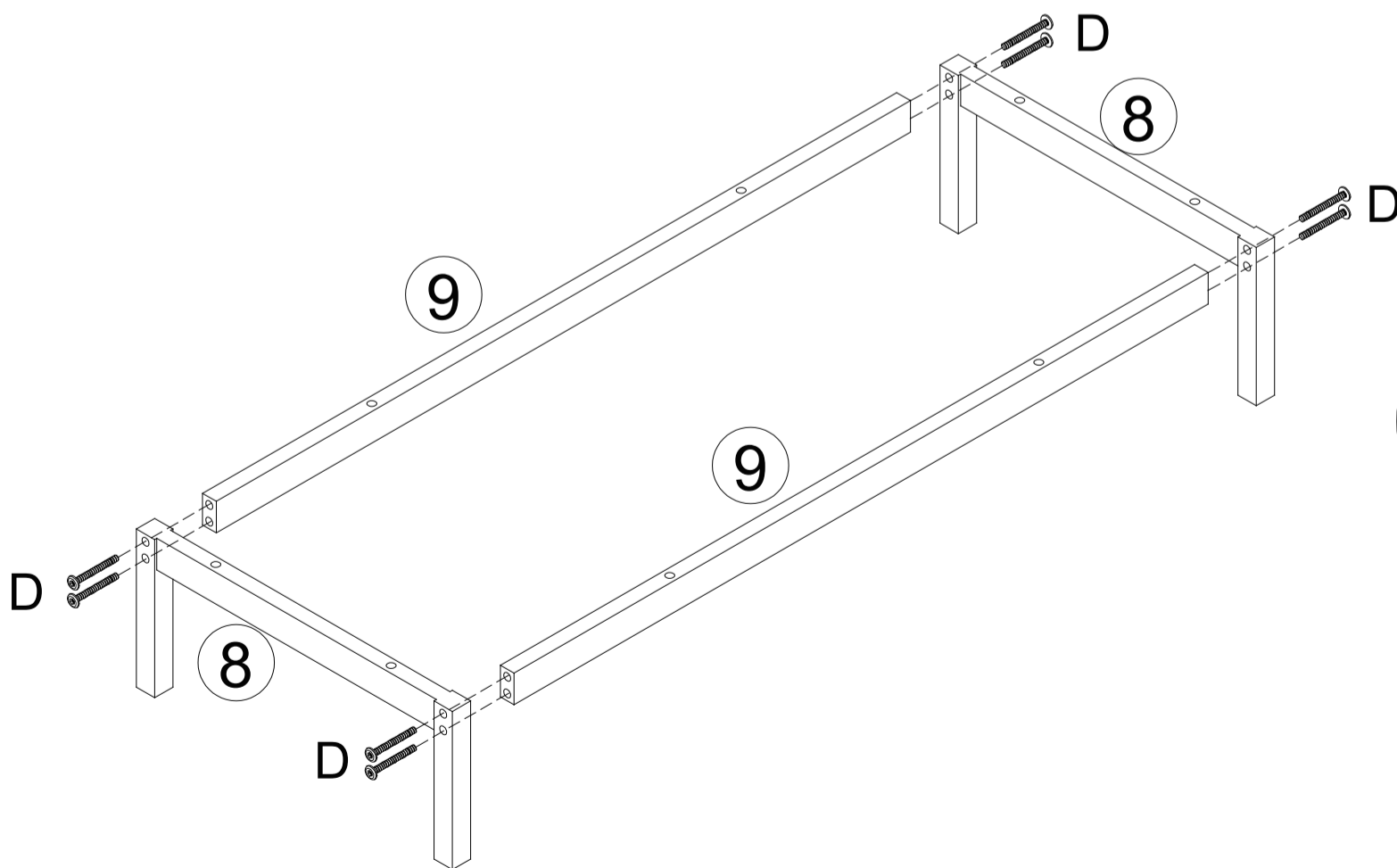
C x 4


STEP 7



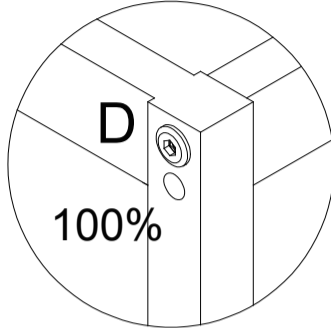
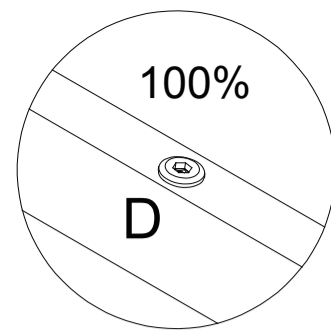
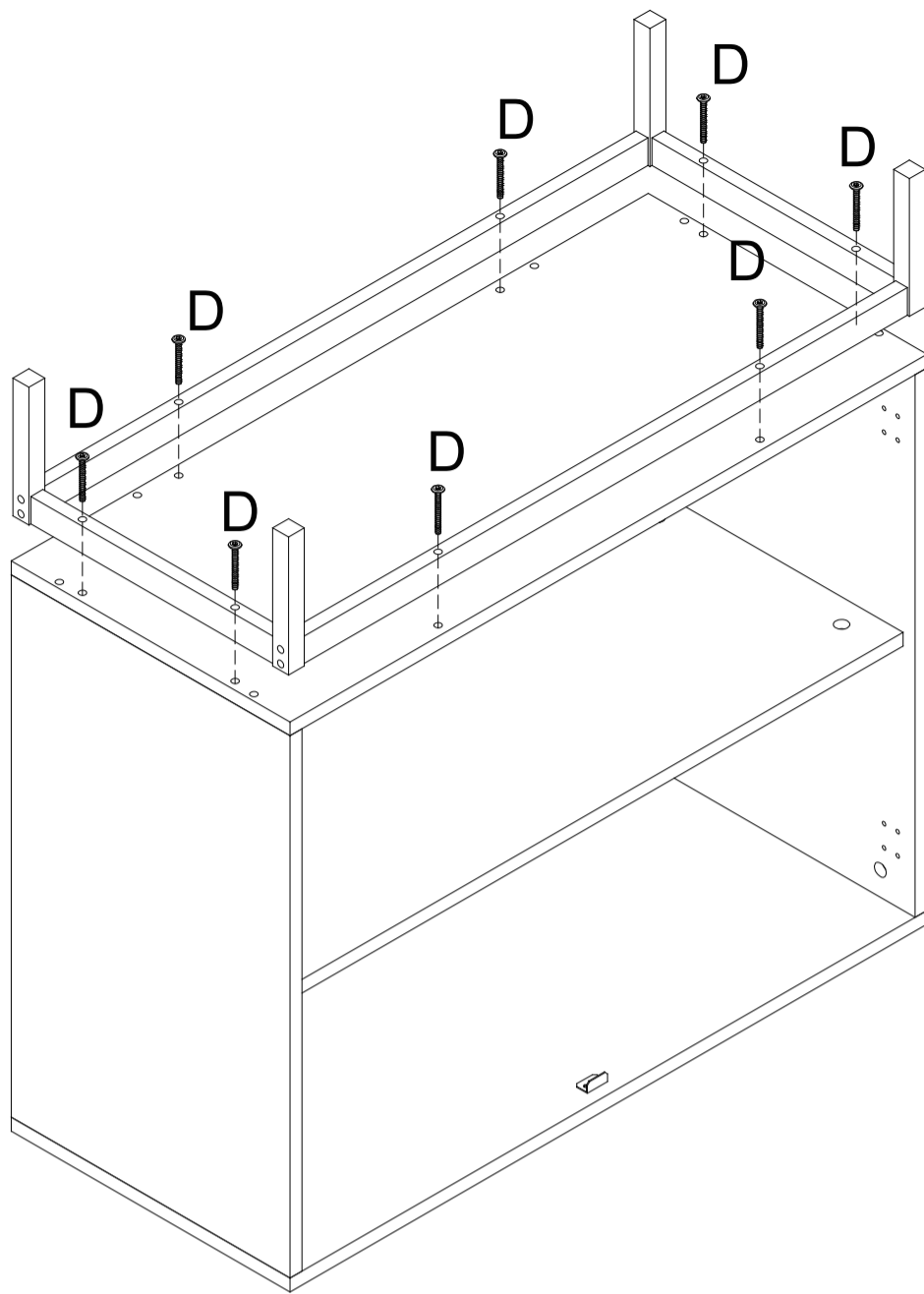
	
C x 4	E x 6

STEP 8



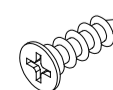
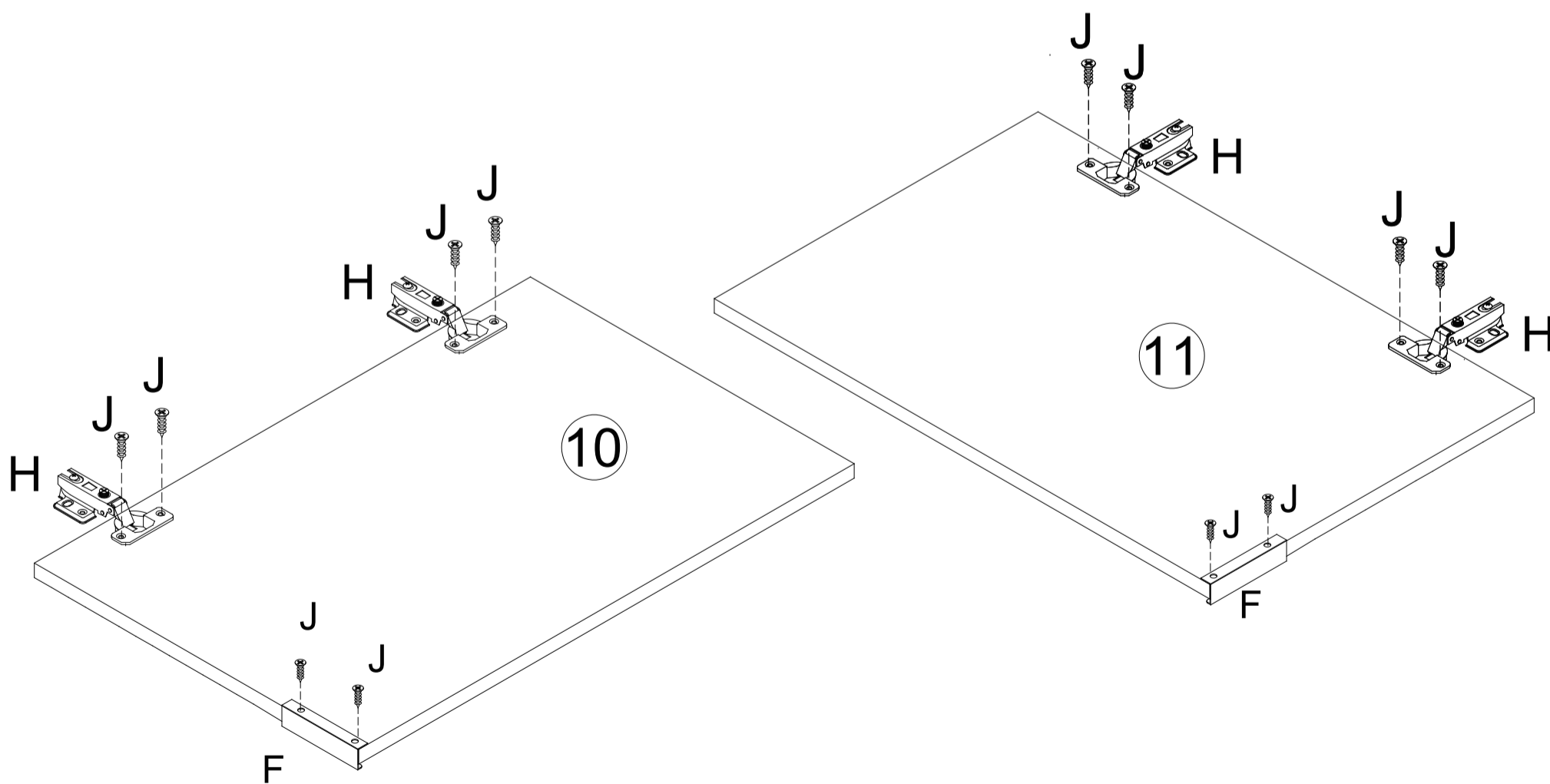

D x 8

STEP 9

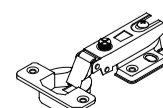


D x 8

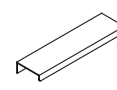
STEP 10



J x 12

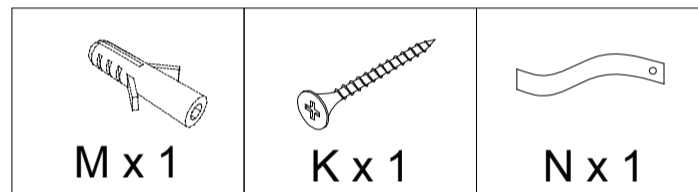
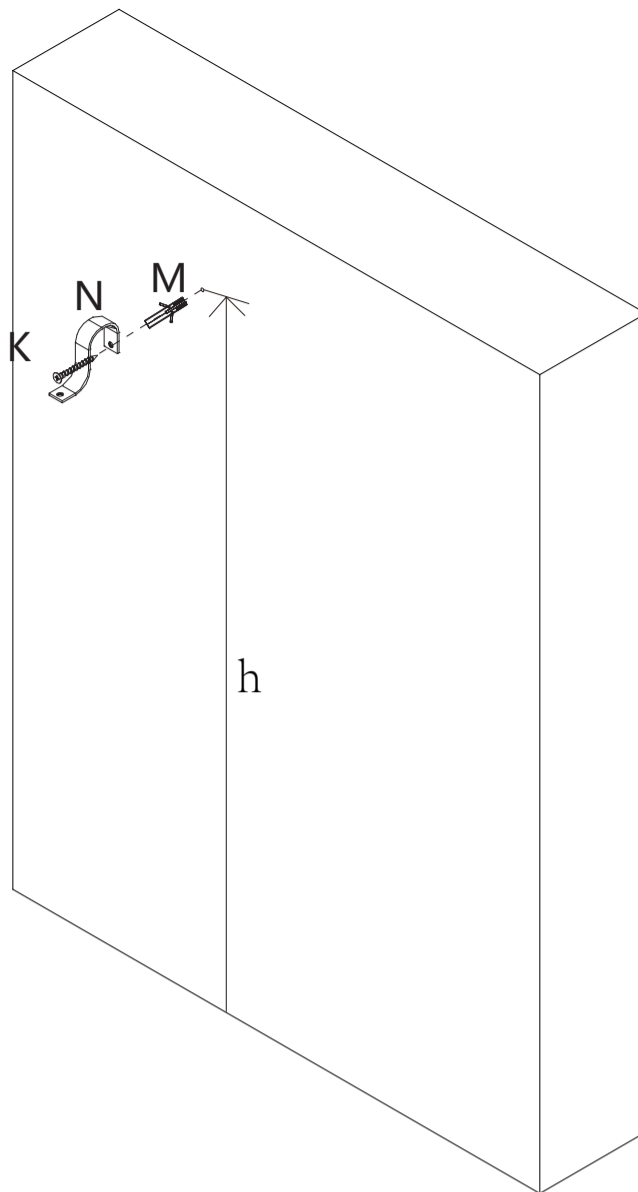
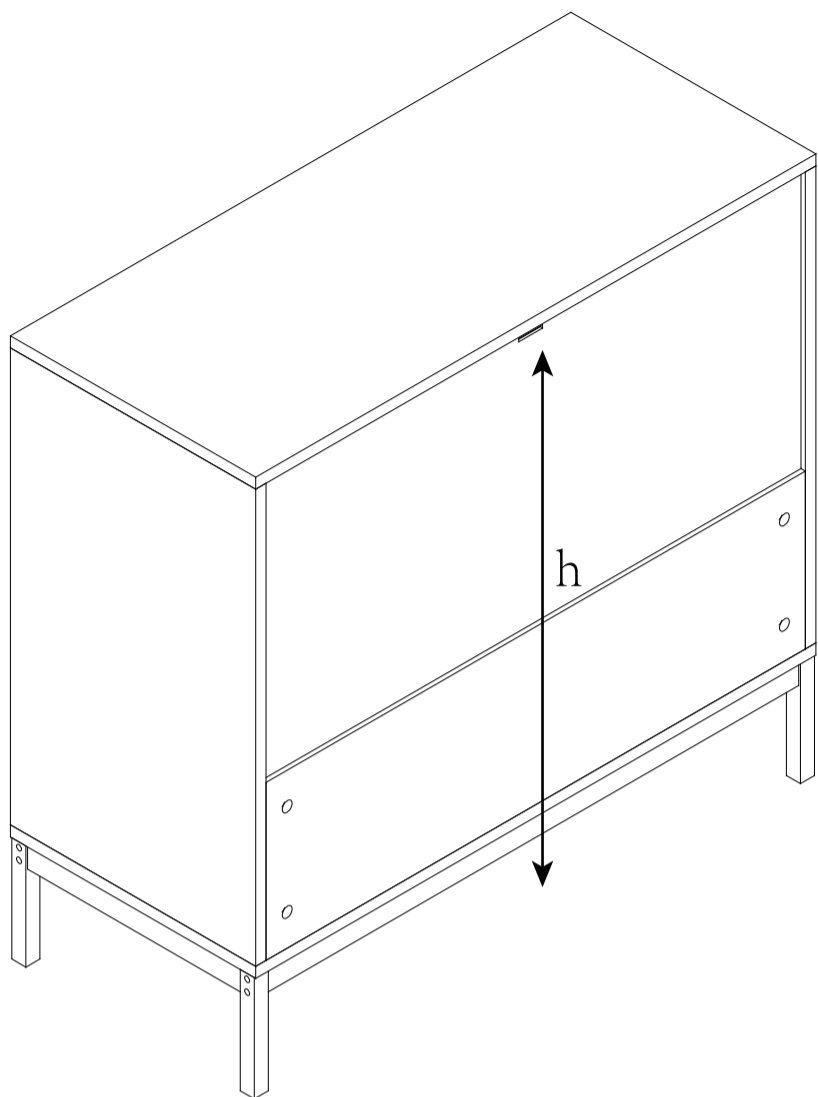


H x 4



F x 2

STEP 11



STEP 12

